



## **Glendale Firefighters Prepare the Community for Winter Storms**

With the winter storms approaching the Southern California fire ravaged areas in the coming months, the Glendale Fire Department is encouraging all citizens to be prepared for possible flooding, excess rainfall and land erosion in and around the community.

To prepare for rainfall runoff, all Glendale Fire Stations have been supplied with burlap bags available to the public for free. Citizens who require additional sandbags may obtain them from the City of Glendale Public Works Yard located at 541 W. Chevy Chase Drive. The Public Works Yard can be reached by calling (818) 548-3950 for hours of operation.

The City of Glendale does not provide the sand to fill the bags. Please consult the list below for local vendors where you can purchase filled sandbags. Sandbag filling and placement instructions are also provided.

### **Sandbag Locations:**

The following are approximate prices and locations for purchasing sandbags.

- **All Glendale Fire Stations** have free sandbags.
- **City of Glendale Public Works Yard** 541 W. Chevy Chase Dr. (818) 548-3950 6:00 am to 11:00 pm (sand bags only)
- **Virgil's Hardware** 520 N. Glendale Ave. (818) 242-1104  
Vinyl Bags- \$0.69 ea.; 50 lb. of sand- \$3.99; Pre-filled bags of sand \$5.99
- **Glendale Builders Supply** 4415 San Fernando Rd. (818) 242-4135 or (800) 429-4271  
Empty Bags- \$0.36 ea.; shovel of sand- \$0.38 Filled Sandbags- \$1.71 each



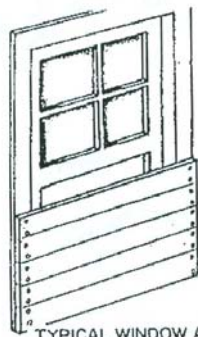
### Sandbag Instructions:

Fill sandbags one-half full with sand or soil, fold top of sandbag down and rest bag on its folded top, or tie the top securely with heavy string. Place in areas where needed, one layer at a time, stomping them down heavily with your feet before placing the next layer. Limit placement to no more than three layers unless a building is used as a backing. Note: sandbags are for small flow protection (**up to two feet only**), and if improperly placed could cause needless damage to your neighbor's property or your own.

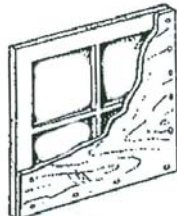
### Guidelines:

- ◆ Never underestimate the power of water and debris flows!
- ◆ Clear a path for the debris, don't try to dam it up.
- ◆ Debris will often enter a building through the windows – you might have to board them up.
- ◆ When properly placed, sandbags will redirect storm and debris flows from structures and other property improvements.
- ◆ Sandbags will not seal out water; the goal is to divert most of the water or debris flow.
- ◆ Sandbags deteriorate when exposed for several months to continued wetting and drying.
- ◆ Loosely placed sandbags that haven't been well stomped into a firm wall may result in failure and cause serious damage.
- ◆ When boarding up windows and doors to prevent debris flow access to the structure, use low grade plywood and overlap windows, vents or doors 3-4 inches on all sides. Secure the plywood with four or more nails, screws or bolts. A stake and board may be used to wedge boards in place as well.

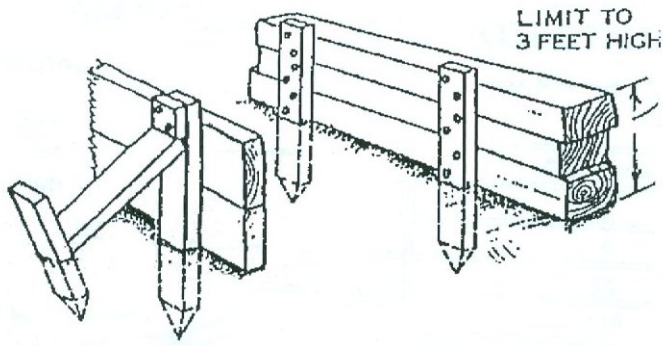
### Diagrams:



TYPICAL WINDOW AND DOOR PROTECTION



USE OF WINDOW AND DOOR PROTECTION



TYPICAL TIMBER INSTALLATION

